

CE CCC ISO9001 RoHS



OLBIN
— Since 1987 —



UL CE CCC RoHS SASO
OLBIN PUMP GREAT PUMP
100% EUROPEAN STANDARD
50HZ 60HZ



OLBIN
— Since 1987 —

EEZI PUMPS

www.water-booster-pumps.co.za




2019
Cutting pump Non-clogging Sewage Submersible pump

GNWQ SERIES Cutting Pump Non-clogging Sewage Submersible Pump



PRODUCT FEATURES



Epoxy Cable Base
An epoxy resin seal cable base prevents moisture from entering the motor through the core wires.



Heavy duty bearing
from 3Kw use 3pcs heavy duty bearing

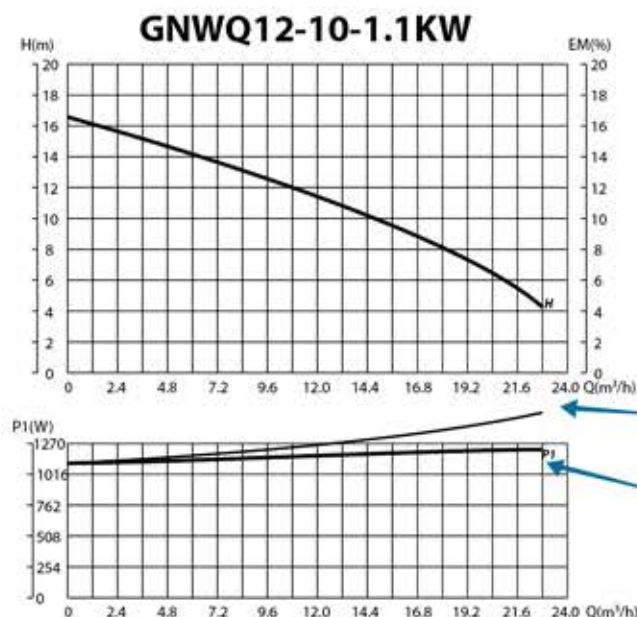


Auto-cut motor protector
Auto-cut thermal protector the Auto-cut protector will be activated and cut the power off automatically if motor run in abnormal electric and excess .



Mechanical Seal
A double mechanical seal consists of two seals arranged in a series. Superior abrasion resistant mechanical seal manufactured with silicon carbide to ensure the best seal effect.

GNWQ SERIES CUTTING PUMP CURVE





Vortex impeller **Strong cutter**

Cutter Impeller With Cutter Ring

- the impeller with non clogging design with design right
- material for the impeller and cutter ring:high-chromium stainless steel 420 and the hardness is HRC49-52 provide good wearing resistance.

Normal sewage pump the power need very big when use the big flow point.and motor will be heating and burn broken

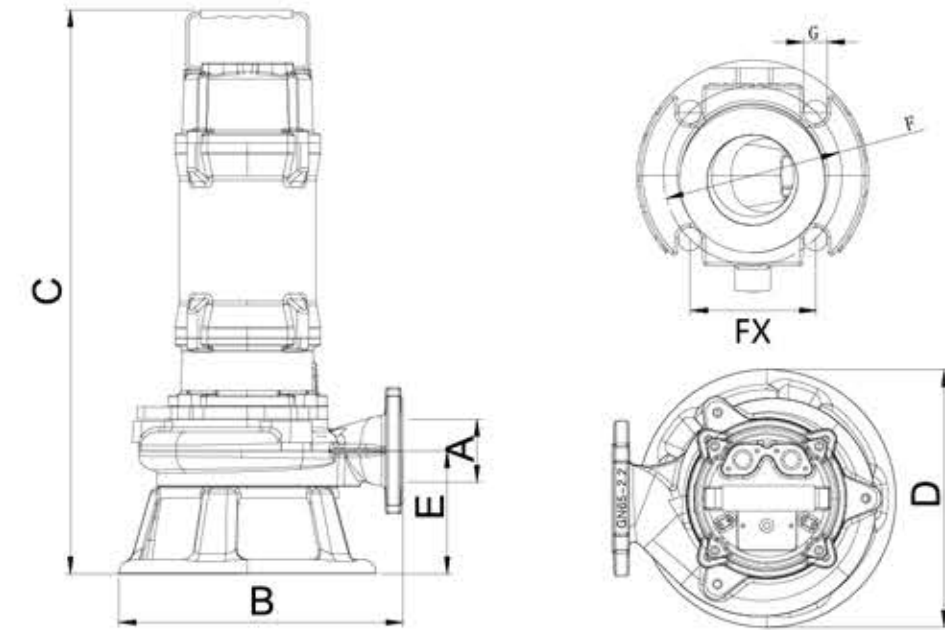
OLBIN GNWQ pump can use every point flowrate.and power is almost one level.motor temperature is almost same level.

GNWQ SERIES Cutting Pump Non-clogging Sewage Submersible Pump

PUMP SPECIFICATION TABLE

Pole	Model	Output HP(kW)	Discharge Inch(mm)	Phase Ø	Start	Standard		Solid Passage mm(inch) without cutter ring
						m ³ /hr	ft-GPM	
2P	50GNWQ10-10-0.75	1(0.75)	2" (50)	1/3	direct	10-10	32.8-36.7	20(0.8)
	50GNWQ12-10-1.1	1.5(1.1)	2" (50)	1/3	direct	10-12	32.8-44	20(0.8)
	50GNWQ15-15-1.5	2 (1.5)	2" (50)	1/3	direct	15-15	49.2-55	20(0.8)
	65GNWQ25-10-1.5	2 (1.5)	2.5" (65)	1/3	direct	10-25	32.8-91.7	26(1)
	50GNWQ9-22-2.2	3 (2.2)	2" (50)	3	direct	22-9	72.2-33	20(0.8)
	65GNWQ25-15-2.2	3 (2.2)	2.5" (65)	3	direct	15-25	49.2-91.7	26(1)
	80GNWQ45-9-2.2	3 (2.2)	3" (80)	3	direct	9-45	29.5-165	32(1.25)
	50GNWQ20-22-3	4 (3)	2" (50)	3	direct	22-20	72.9-73.3	20(0.8)
	65GNWQ35-15-3	4 (3)	2.5" (65)	3	direct	15-35	49.2-128.3	26(1)
	80GNWQ43-13-3	4 (3)	3" (80)	3	direct	13-43	42.7-157.7	32(1.25)
	65GNWQ25-22-4	5.5(4)	2.5" (65)	3	direct	22-25	72.2-91.7	26(1)
	80GNWQ45-17-4 (High efficiency Edition)	5.5(4)	3" (80)	3	direct	17-45	55.8-165	32(1.25)
	80GNWQ45-20-5.5	7.5(5.5)	3" (80)	3	direct	20-45	65.6-165	32(1.25)
	100GNWQ65-15-5.5	7.5(5.5)	4" (100)	3	direct	15-65	49.2-238.3	40(1.5)
	50GNWQ20-40-7.5	10(7.5)	2" (50)	3	direct	40-20	131.2-73.3	20(0.8)
	80GNWQ45-25-7.5	10(7.5)	3" (80)	3	direct	25-45	82-165	32(1.25)
100GNWQ100-15-7.5	10(7.5)	4" (100)	3	direct	15-100	49.2-366.7	40(1.5)	

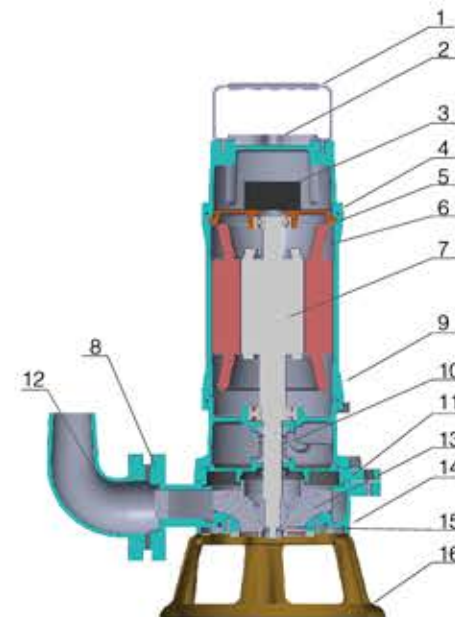
GNWQ SERIES Cutting Pump Non-clogging Sewage Submersible Pump



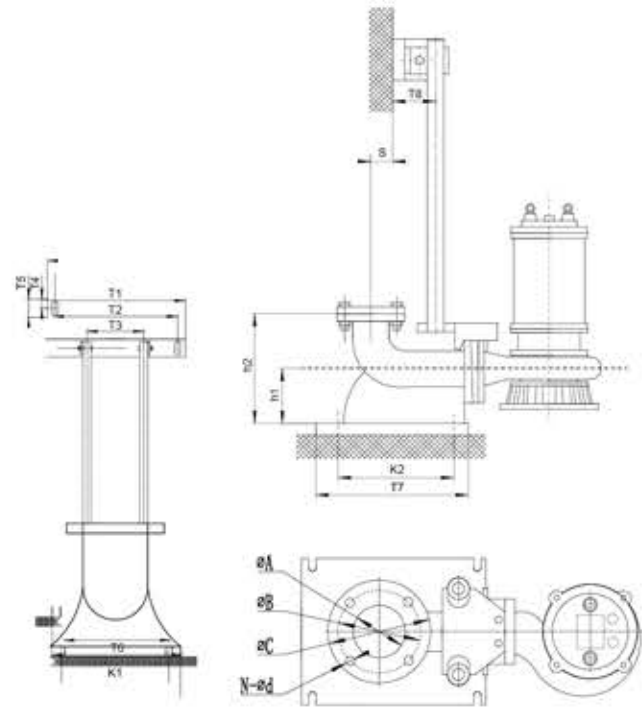
PUMP SIZE TABLE

Model	Weight (kg)(lb)		Dimensions (mm)						
	1Ø	3Ø	A	B	C	D	E	F	G
50GNWQ10-10-0.75	23.55(51.92)		40	205	430	175	74	110	15
50GNWQ12-10-1.1	23.7(52.2)		40	205	430	175	74	110	15
50GNWQ15-15-1.5	37.25(82.1)		50	250	568	240	117	110	15
65GNWQ25-10-1.5	-	36.1(79.6)	65	250	568	240	117	110	15
50GNWQ9-22-2.2	-	40.1(88.4)	50	295	585	265	127	130	15
65GNWQ25-15-2.2	-	41.4(91.3)	65	295	585	265	127	130	15
80GNWQ45-9-2.2	-	43.4(95.7)	80	295	585	265	127	130	15
50GNWQ20-22-3	-	45.8(101)	50	280	575	240	123	110	15
65GNWQ35-15-3	-	46.6(102.7)	65	280	575	240	123	110	15
80GNWQ43-13-3	-	47.4(104.5)	80	280	575	240	123	110	15
65GNWQ25-22-4	-	52.2(115.1)	65	315	590	265	127	130	15
80GNWQ45-17-4 (High efficiency Edition)	-	52.9(116.6)	80	315	590	265	127	130	15
80GNWQ45-20-5.5	-	62.15(137)	80	325	650	268	131	160	18
100GNWQ65-15-5.5	-	63.6(140.2)	100	325	650	268	131	160	18
50GNWQ20-40-7.5	-	70.8(156.1)	50	335	660	285	137	160	18
80GNWQ45-25-7.5	-	72(158.7)	80	335	660	285	137	160	18
100GNWQ100-15-7.5	-	73.5(162)	100	335	660	285	137	160	18

1	Handle	9	Motor body
2	Cable	10	Mechanical seal
3	capacitor	11	Screw
4	Cap	12	Elbow
5	Thermal protector	13	impeller
6	stator	14	Pump body
7	rotor	15	Cutter ring
8	outlet	16	Base



Auto-Coupling



- Fix to the pumps with flange conforming ISO7005-92 standard.
- Sewage pump with standard flanged elbow can connect to this auto-coupling directly.

Supplied with

- Coupling seat
- Coupling adapter
- Upper guide support

Dimensions table

Model	ØA	ØB		ØC	N-Ød	T1	T2	T3	T4	T5	T6	T7	T8	K1	K2	S	h1	h2
		6Kg	10Kg															
DN50	Ø50/G2"	100	125	139	4-Ø14	266	218	104	20.5	41	197	208	79	162	133	54.5	160	250
DN65	Ø65/G2½"	130	145	160	4-Ø14	280	236	126	25	50	228	235	95	186	155	91	166	266
DN80	Ø80/G3"	150	160	190	4-Ø18	318	266	146	26	52	256	235	97	213	155	78	188	306
DN100	Ø100/G4"	170	180	210	4-Ø18	365	306	169	27.5	55	293	258	115	261	176	101	232	350
DN150	Ø150/G6"	225	240	280	8-Ø18	412	260	280	31	62	400	412	118	280	298	191	305	490
DN200	Ø200/G8"	280	295	330	8-Ø18	412	260	280	31	62	398	445	116	298	353	230	325	550
DN250	Ø250/G10"	335	350	400	12-Ø18	412	260	280	31	62	460	560	120	360	430	300	314	630
DN300	Ø300/G12"	395	395	444	12-Ø22	522	344	299	33	66	550	565	115	410	410	285	400	740

Weights & Packing dimensions

Model	N.W	G.W	Packing dimension mm
	kg	kg	
50-50(PN6)	17	19.5	350×320×245
65-65(PN6)	24	27	390×270×345
80-80(PN6)	31	34.5	410×290×395
100-100(PN6)	45	50	470×330×475
150-150(PN6)	96	105	700×440×610
150-150(PN10)	95	104	700×440×610
200-200(PN10)	132	142	770×440×650
250-250(PN10)	179	191	900×510×710
300-300(PN10)	230	245	940×570×810

Model	Guide pipe	Foundation bolts		Upper guide support bolts
DN50	1" / Ø33.3×3.5	4-M25	4-M28	2-M13
DN65	1" / Ø33.3×3.5	4-M25	4-M28	2-M13
DN80	1½" / Ø48.3×3.5	4-M38	4-M42	2-M13
DN100	1½" / Ø48.3×3.5	4-M38	4-M42	2-M13
DN150	1½" / Ø48.3×3.5	4-M38	4-M42	2-M15
DN200	1½" / Ø48.3×3.5	4-M25		2-M15
DN250	1½" / Ø48.3×3.5	4-M25		2-M15
DN300	2" / Ø60.3×3.5	4-M25		2-M16