



**50Hz**

**Power:** 0.18 - 0.75 kW

**Head:** Up to 33M

**Flow:** Up to 110 L/min

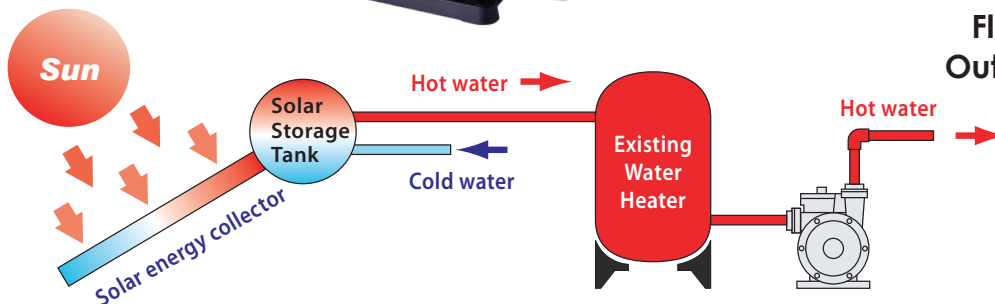
**60Hz**

**Power:** 0.18 - 0.75 kW

**Head:** Up to 28M

**Flow:** Up to 120 L/min

**Outlet:** 1"



## Applications

This HQCN Series are designed for hot water supply (up to +90°C) and pressure boosting in residential and commercial applications. They are suitable for solar energy hot water system or other types of hot water systems.

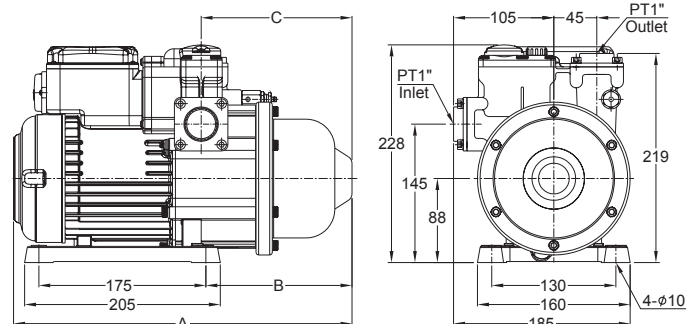
## Operating Conditions

1. Ambient temperature: Max. +40°C
2. Liquid temperature: +4°C ~ +90°C
3. Relief pressure value automatically : 5kg/cm<sup>2</sup>
4. Relative humidity: Max. 85% (RH)
5. Before using the pump, be sure the inlet pressure setting is lower than factory pressure setting.

## Product Features

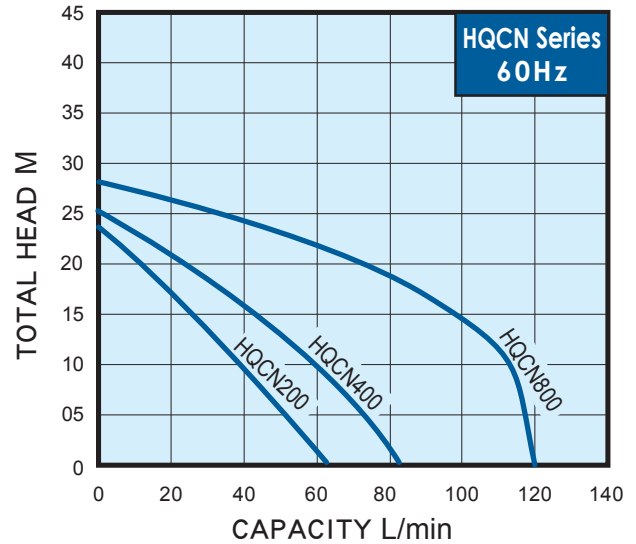
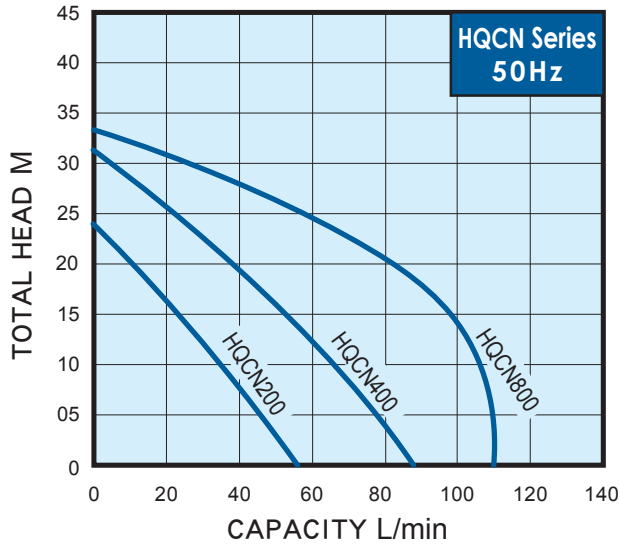
1. The HQCN is a complete, all-in-one unit, consisting of pump, motor, pressure tank, and electronic controller. The built-in electronic controller provides constant pressure which ensures that the pump starts automatically when water is consumed and operates continuously until water is not required.
2. Compact design and quiet operation make the HQCN series suitable for many applications.
3. The HQCN is constructed from the top quality corrosion resistant materials.
4. The motor has built-in thermal overload to protect against high operating temperatures and over current.
5. The HQCN has an anti-cycling feature which prevents the pump from continuous starting and stopping when you have a dripping tap or minor leak in the system.
6. Relief valve will automatically release the pressure when the HQCN full system pressure exceeds 5kg/cm<sup>2</sup>.

## Dimensions




Model	Cycle ( Hz )	Dimensions(mm)		
		A	B	C
HQCN200	50 / 60	355	153	158
HQCN400	50 / 60	355	153	158
HQCN800	50 / 60	410	162	167


## Performance curve



## Specification, 50Hz

Model	Power (kW)	Cycle (Hz)	Phase (Ø)	Voltage (V)	Amp's (A)	Inlet (in.)	Outlet (in.)	Preset activation point (kg/cm <sup>2</sup> )	H max. (m)	Q max. (L/min)	N.W. kg	
HQCN200	0.18	50	1	200-240	1.5	1"	1"	1.6	24	55	7.5	30
HQCN400	0.37	50	1	200-240	2.8	1"	1"	2.0	31	85	8.5	30
HQCN800	0.75	50	1	200-240	4.5	1"	1"	2.0	33	110	11.3	24

## Specification, 60Hz

Model	Power (kW)	Cycle (Hz)	Phase (Ø)	Voltage (V)	Amp's (A)	Inlet (in.)	Outlet (in.)	Preset activation point (kg/cm <sup>2</sup> )	H max. (m)	Q max. (L/min)	N.W. kg	
HQCN200	0.18	60	1	110/220	4.0/2.0	1"	1"	1.6	24	60	7.5	30
HQCN400	0.37	60	1	110/220	6.0/3.0	1"	1"	1.8	26	80	8.5	30
HQCN800	0.75	60	1	110/220	9.0/4.5	1"	1"	2.0	28	120	10.8	24